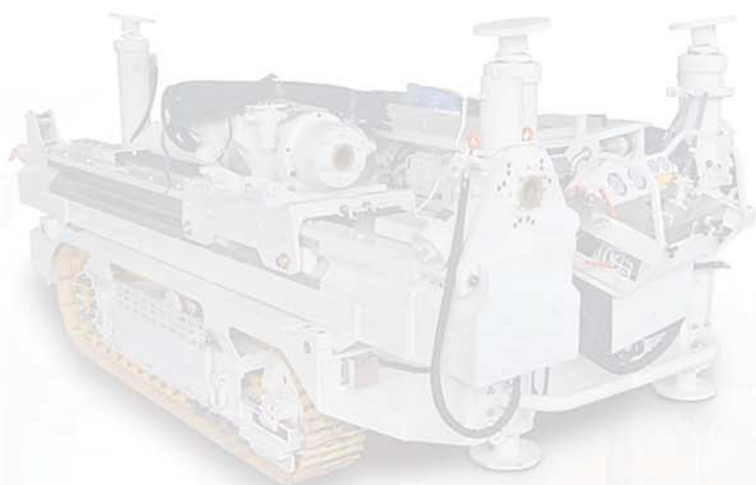
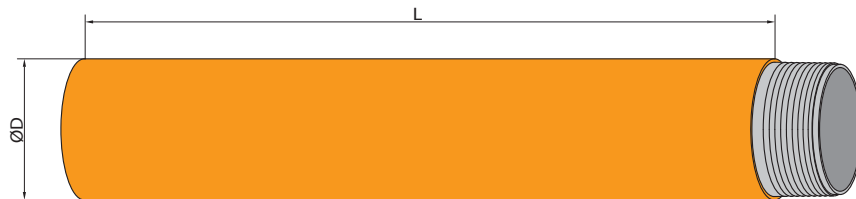


CORING RODS



Drill rods with B-O thread



Outside Diameter		Inside Diameter		Length (mm)	Wall Thickness		Weight (kg)	Catalogue number
mm	inch	mm	inch		mm	inch		
55,6	2 3/16	46	1 13/16	0,5	4,8	3/16	3	CR3356005
55,6	2 3/16	46	1 13/16	1,0	4,8	3/16	6	CR3356010
55,6	2 3/16	46	1 13/16	1,5	4,8	3/16	9	CR3356015
55,6	2 3/16	46	1 13/16	3,0	4,8	3/16	18	CR3356030

B-O BUNDLE SPECIFICATIONS

3,0 m/10 ft ROD BUNDLE (19 RODS)

Dimensions (LxWxH) 3150x292x254 mm (124x11,5x10 inch)

Volume 0,23 m³ (8 ft³)

Gross Weight 357 kg (754 lb)

1,5 m/5 ft ROD BUNDLE (19 RODS)

Dimensions (LxWxH) 1600x292x254 mm (63x11,5x10 inch)

Volume 0,11 m³ (8 ft³)

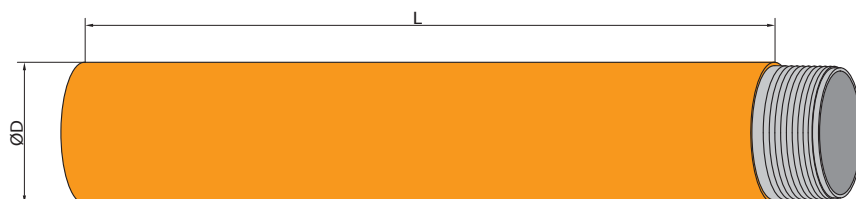
Gross Weight 186 kg (410 lb)

CONTAINER SHIPMENTS:

6,0 m/20 ft container load of 3,0 m/10 ft rods holds 53 bundles (1007 rods), 18,9 t (41714 lb)

12,0 m/40 ft container load of 3,0 m/10 ft rods holds 68 bundles (1292 rods), 24,3 t (53519 lb)

Drill rods with N-O thread



Outside Diameter		Inside Diameter		Length (mm)	Wall Thickness		Weight (kg)	Catalogue number
mm	inch	mm	inch		mm	inch		
69,9	2 3/4	60,3	2 3/8	0,5	4,8	3/16	3,9	CR3370005
69,9	2 3/4	60,3	2 3/8	1,0	4,8	3/16	7,7	CR3370010
69,9	2 3/4	60,3	2 3/8	1,5	4,8	3/16	11,6	CR3370015
69,9	2 3/4	60,3	2 3/8	3,0	4,8	3/16	23,2	CR3070030

N-O BUNDLE SPECIFICATIONS

3,0 m/10 ft ROD BUNDLE (19 RODS)

Dimensions (LxWxH) 3124x368x330 mm (123x14,5x13 inch)

Volume 0,37 m³ (13 ft³)

Gross Weight 456 kg (1005 lb)

1,5 m/5 ft ROD BUNDLE (19 RODS)

Dimensions (LxWxH) 1600x368x330 mm (63x14,5x13 inch)

Volume 0,20 m³ (7 ft³)

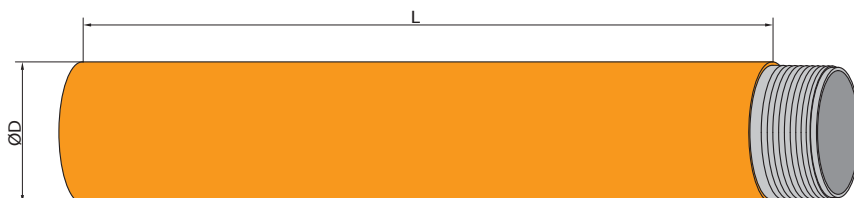
Gross Weight 236 kg (520 lb)

CONTAINER SHIPMENTS:

6,0 m/20 ft container load of 3,0 m/10 ft rods holds 32 bundles (608 rods), 14,6 t (32170 lb)

12,0 m/40 ft container load of 3,0 m/10 ft rods holds 45 bundles (855 rods), 20,6 t (45239 lb)

Drill rods with H-O thread



Outside Diameter		Inside Diameter		Length (mm)	Wall Thickness		Weight (kg)	Catalogue number
mm	inch	mm	inch		mm	inch		
88,9	3 ½	77,8	3 1/16	0,5	5,5	7/32	5,7	CR3389005
88,9	3 ½	77,8	3 1/16	1,0	5,5	7/32	11,4	CR3389010
88,9	3 ½	77,8	3 1/16	1,5	5,5	7/32	17,2	CR3389015
88,9	3 ½	77,8	3 1/16	3,0	5,5	7/32	34,4	CR3389030

H-O BUNDLE SPECIFICATIONS

3,0 m/10 ft ROD BUNDLE (19 RODS)

Dimensions (LxWxH) 3048x470x406,4mm (120x18,5x16 inch)

Volume 0,60 m³ (21 ft³)

Gross Weight 669 kg (1474 lb)

1,5 m/5 ft ROD BUNDLE (19 RODS)

Dimensions (LxWxH) 1588x470x406,4mm (62,5x18,5x16 inch)

Volume 0,31 m³ (11 ft³)

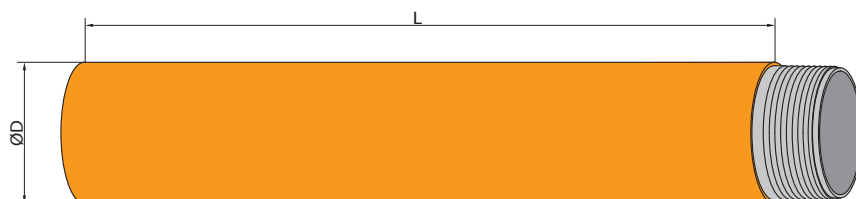
Gross Weight 342 kg (754 lb)

CONTAINER SHIPMENTS:

6,0 m/20 ft container load of 3,0 m/10 ft rods holds 20 bundles (380 rods), 13,4 t (29542 lb)

12,0 m/40 ft container load of 3,0 m/10 ft rods holds 30 bundles (570 rods), 20,1 t (44220 lb)

Drill rods with P-O thread



Outside Diameter		Inside Diameter		Length (mm)	Wall Thickness		Weight (kg)	Catalogue number
mm	inch	mm	inch		mm	inch		
114	4 ½	101,6	4	1,0	6	¼	16,2	CR33114005
114	4 ½	101,6	4	1,5	6	¼	24,3	CR33114010
114	4 ½	101,6	4	3,0	6	¼	48,6	CR33114030

P-O BUNDLE SPECIFICATIONS

3,0 m/10 ft ROD BUNDLE (7 RODS)

Dimensions (LxWxH) 3200x400x300 mm (126x15,8x11,8 inch)

Volume 0,47 m³ (14 ft³)

Gross Weight 355 kg (783 lb)

1,5 m/5 ft ROD BUNDLE (7 RODS)

Dimensions (LxWxH) 1600x400x300 mm (63x11,5x10 inch)

Volume 0,24 m³ (7 ft³)

Gross Weight 185,1 kg (408 lb)

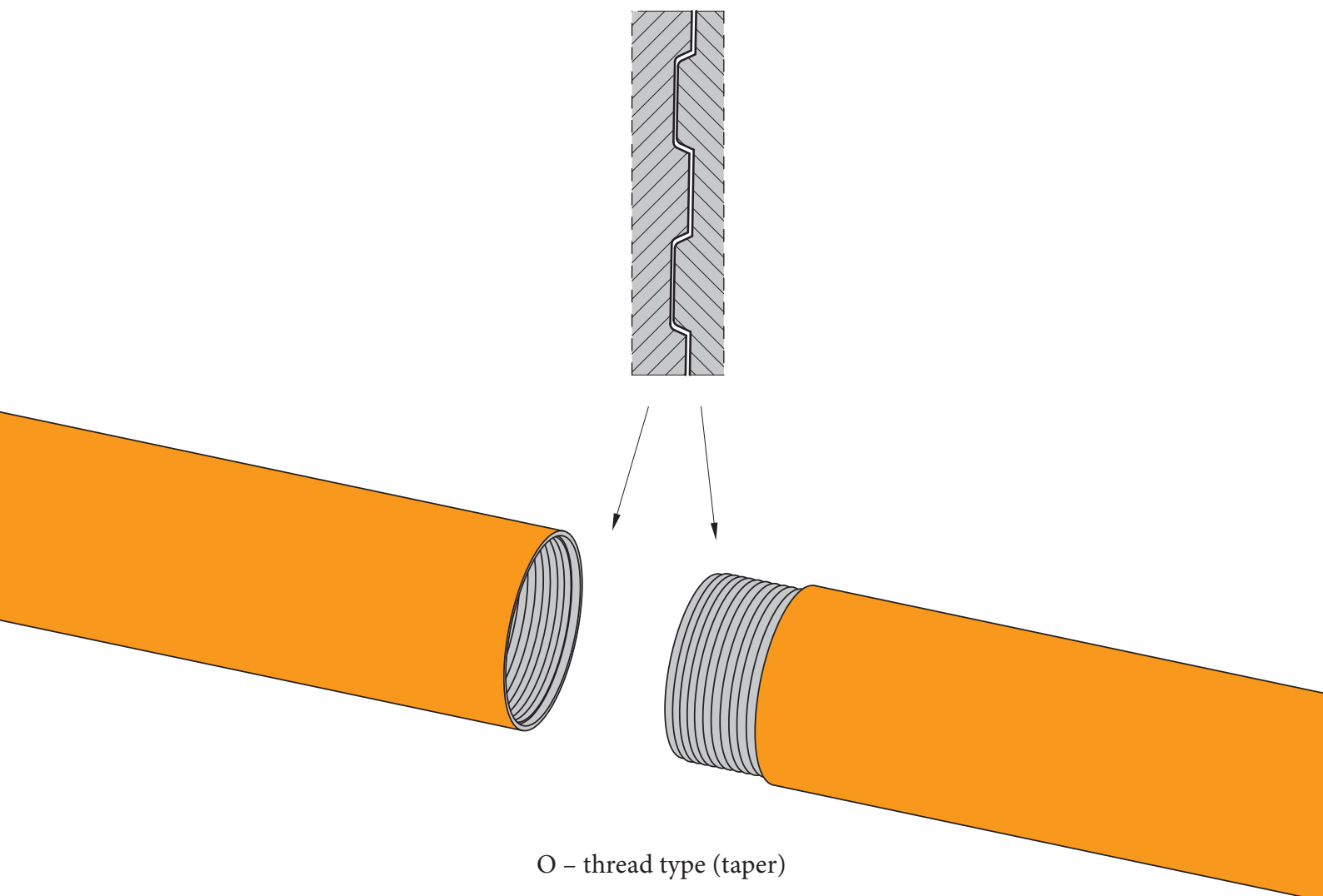
CONTAINER SHIPMENTS:

6,0 m/20 ft container load of 3,0 m/10 ft rods holds 24 bundles (168 rods), 8,5 t (18783 lb)

12,0 m/40 ft container load of 3,0 m/10 ft rods holds 54 bundles (378 rods), 19,2 t (42329 lb)

Drill rods: O THREAD

Rods with taper thread (O) are the most widespread choice for coring drill rods. Gonar Co. Ltd. offers high standard drill rods, fast connection thread improve economic impact in your daily works as well as make it safe and easy.



Coring rods with O THREAD FEATURES:

- High quality alloy steel tubing
- Straightness and heat treatment among all length
- Thermal resistance in tough conditions
- Most common sizes
- Easy make and brake



GONAR Co. Ltd., 109 Obroki Str., 40-833 Katowice, Poland

Phone: +48 32 207 12 00, Fax: +48 32 207 12 50

Sales department – Phone: +48 32 207 12 16÷18, Fax: +48 32 254 03 11

E-mail: marketing@gonar.com.pl

www.gonar.com.pl



AUSTRALIAN BRANCH

GONAR AUSTRALIA PTY LTD

UNIT 2, 8 ARUNGA DRIVE

BERESFIELD, NSW 2322

Phone: +61 2 4966 0090

E-mail: info@gonaraustralia.com.au

www.gonaraustralia.com.au